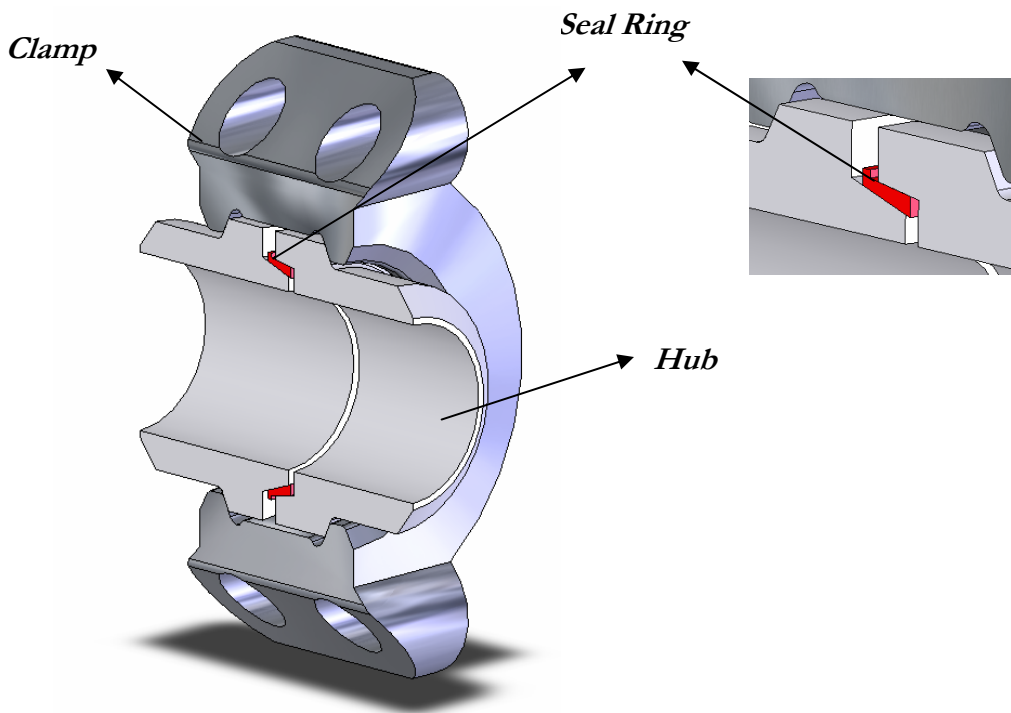
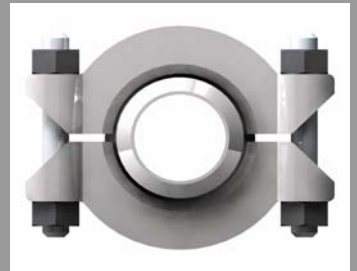


# Taper-Lok Clamp Connector



*Taper-Lok Clamp Connector is one of several pressure-energized connectors engineered to provide specific solutions in specialized applications.*

*Unlike conventional flanges, Taper-Lok Clamp Connector is bolted radially to the pipe, rather than on its axis. This gives significant clamping force to the hubs and also can be placed in any position around the pipe. The clamp connection is quick to assemble and provides a high-integrity seal under extreme conditions and environments.*



*The primary advantage Taper-Lok Connector has over ANSI flange is significantly fewer bolts required, thereby achieving reduced size and weight. The Clamp can also withstand greater tension, compression and bending loads than conventional flanges. Taper-Lok self aligning seal eliminates problems associated with assembly as compared to other clamp connectors.*

*Taper-Lok... recognized as a world leader in high-pressure leak-free flange technology.*



